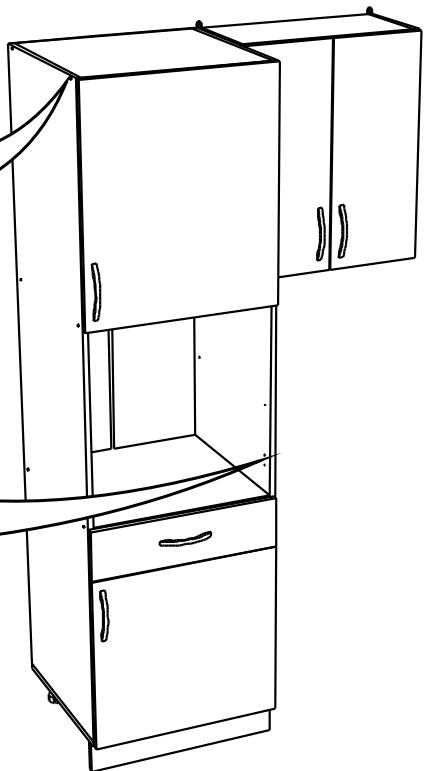
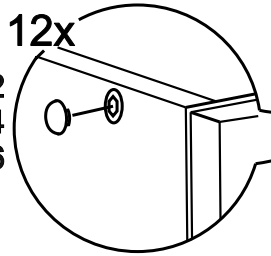


23

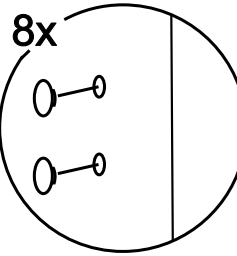
FPL 0002
FPL 0004
FPL 0006

12x

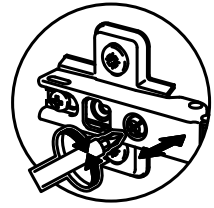
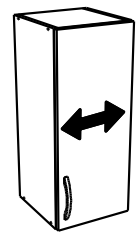
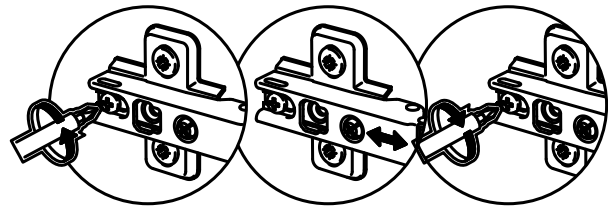
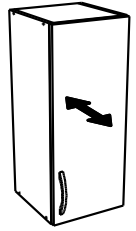
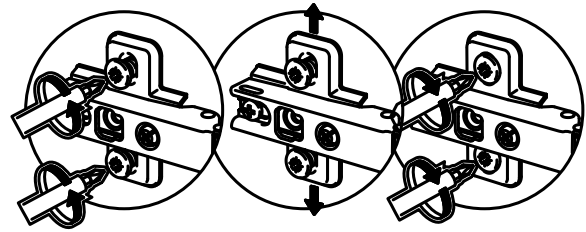
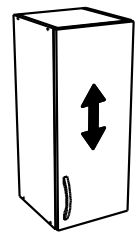


8x

FPL 0023
FPL 0045
FPL 0046

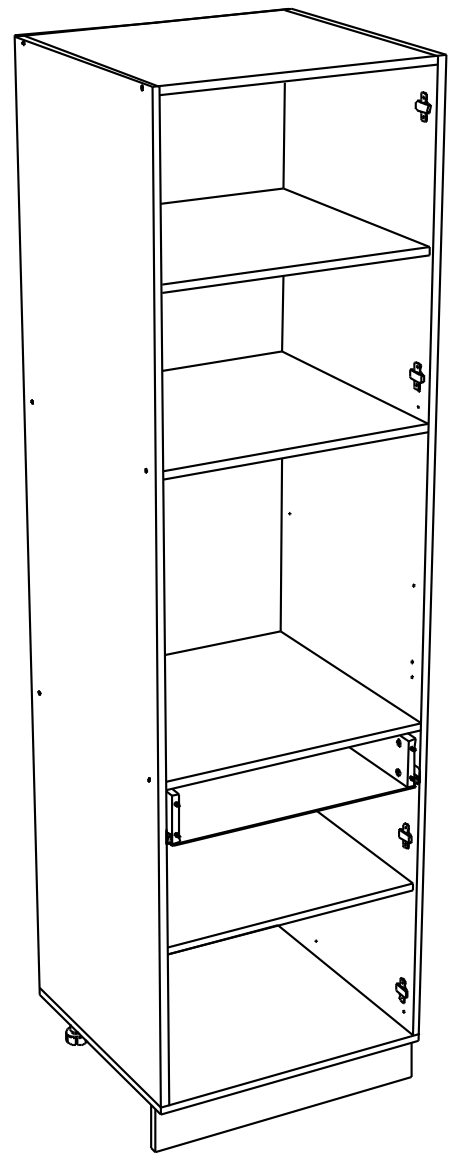


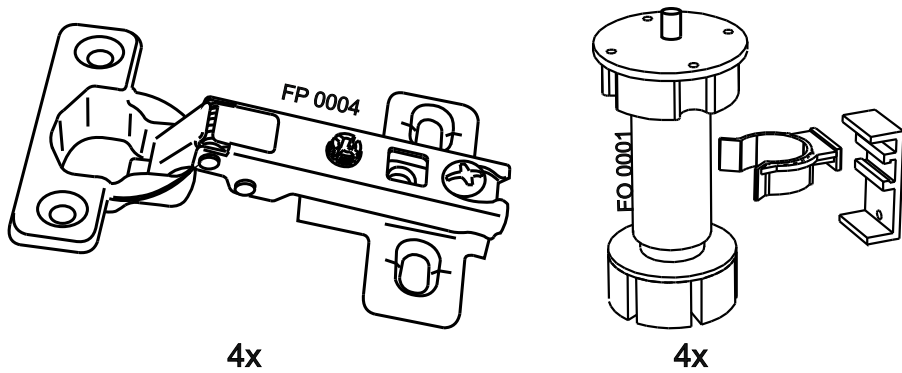
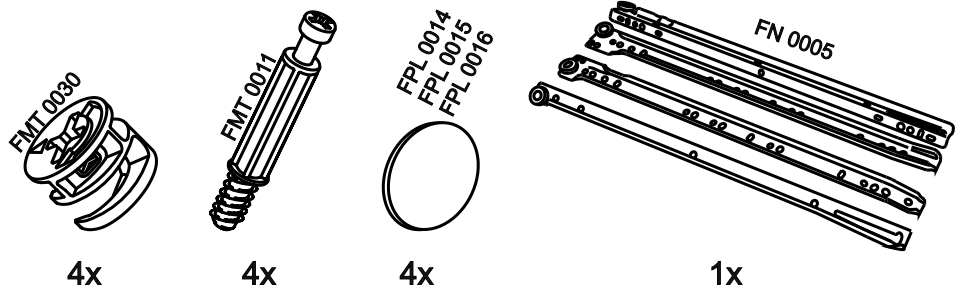
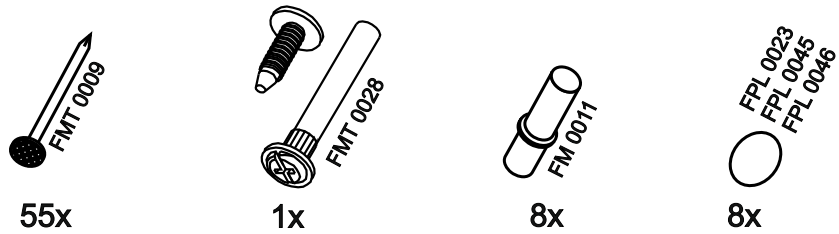
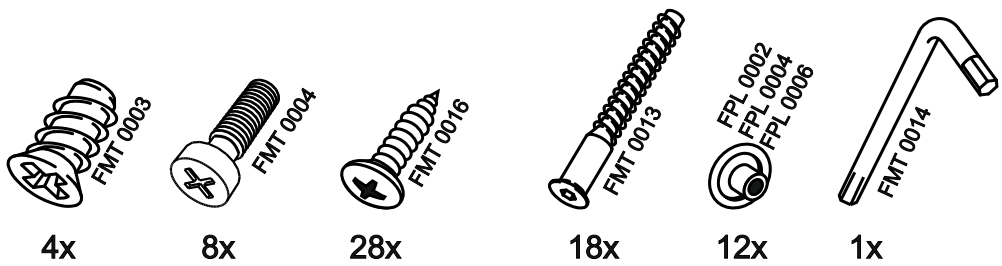
24



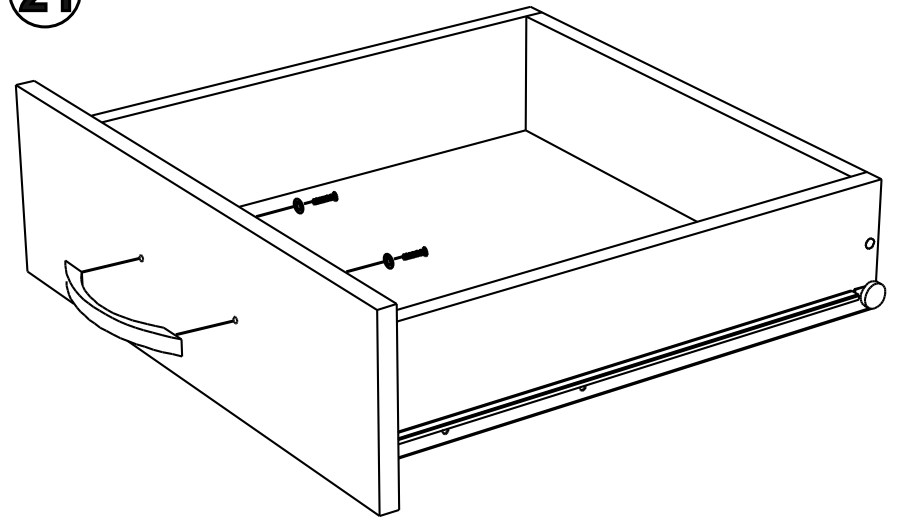
01.03.2018

P601

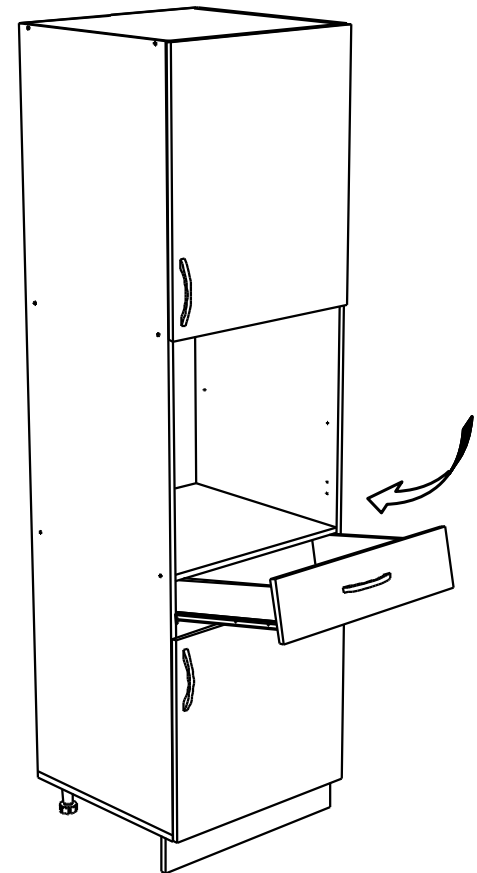


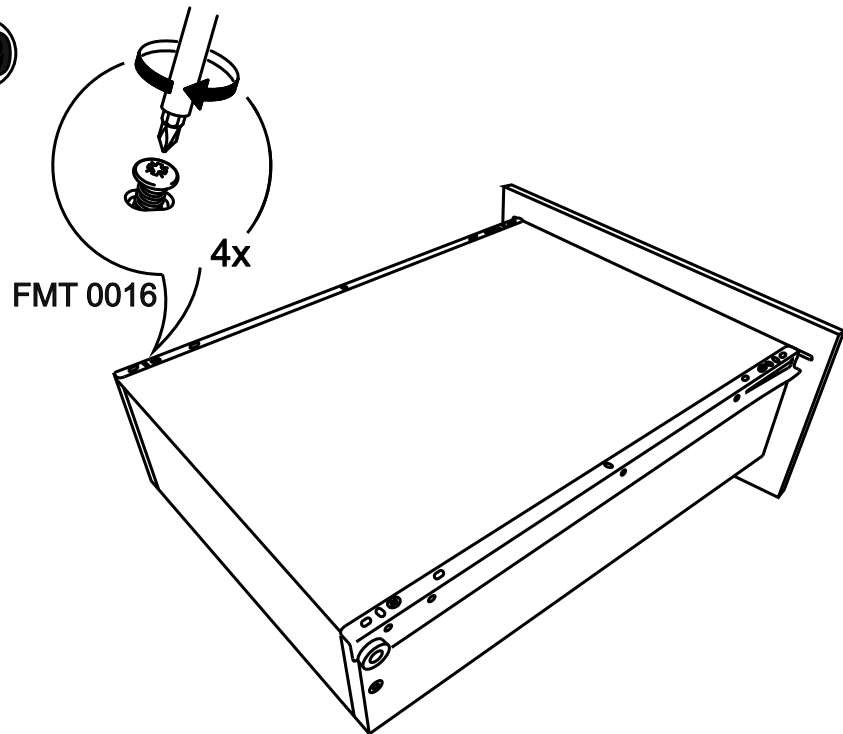


21

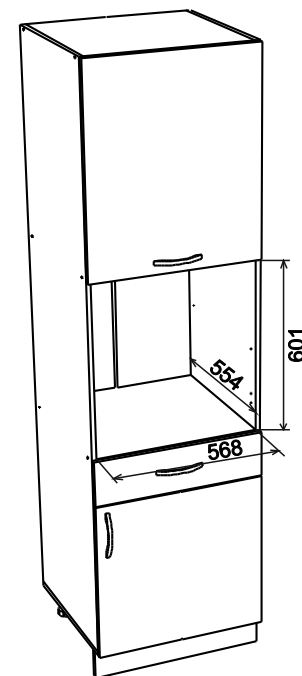
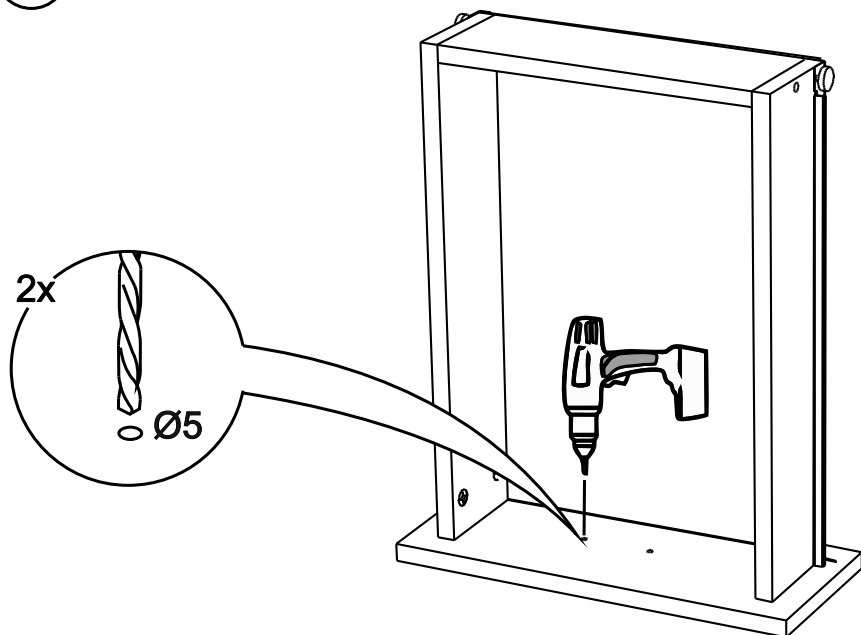


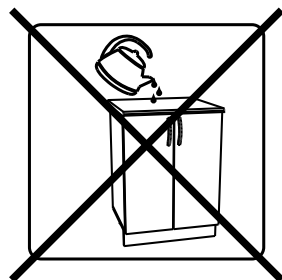
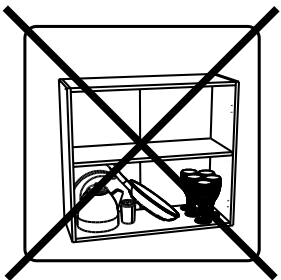
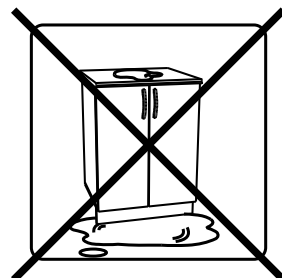
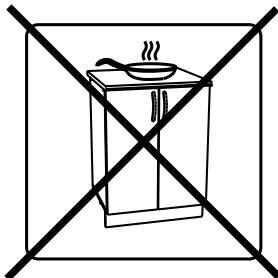
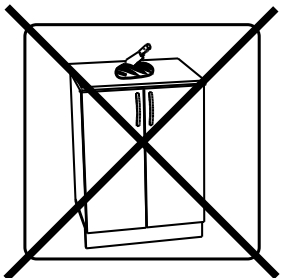
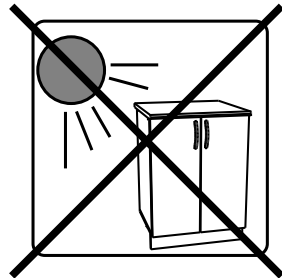
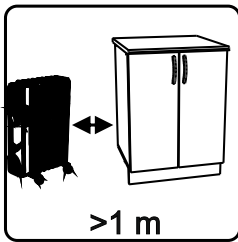
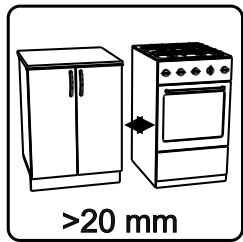
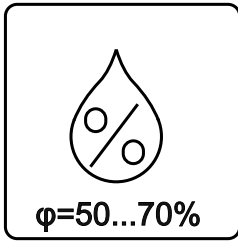
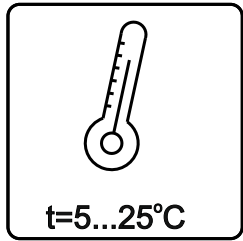
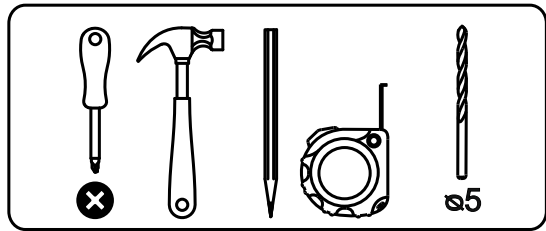
22



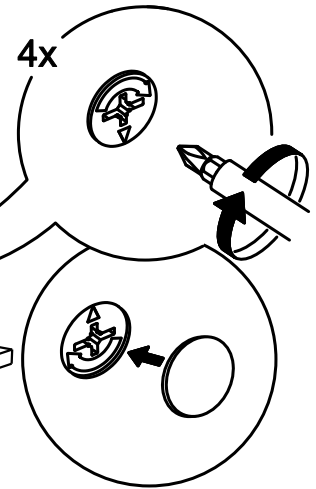
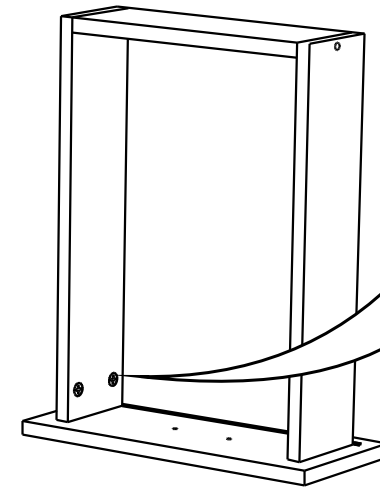
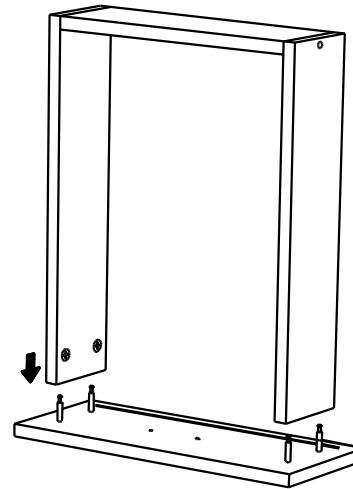
19

No	code	a*b	x
1	P400.01	2016*554	1
2	P400.02	2016*554	1
3	P600.01	600*554	1
4	P600.02	568*554	3
5	P600.03	568*540	2
6	N600.05	600*100	1
7	P600.04	2030*295	2
8	P600.05	2000	1
9	N301.01	450*100	2
10	N601.01	511*100	1
11	N601.02	540*455	1

20

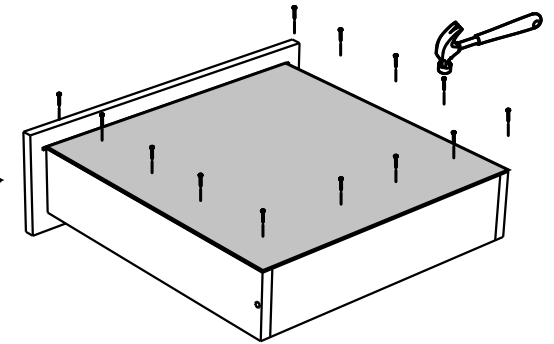
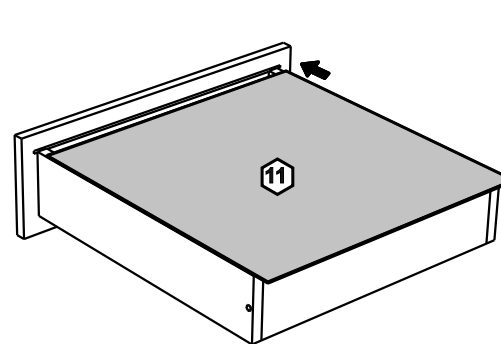


17

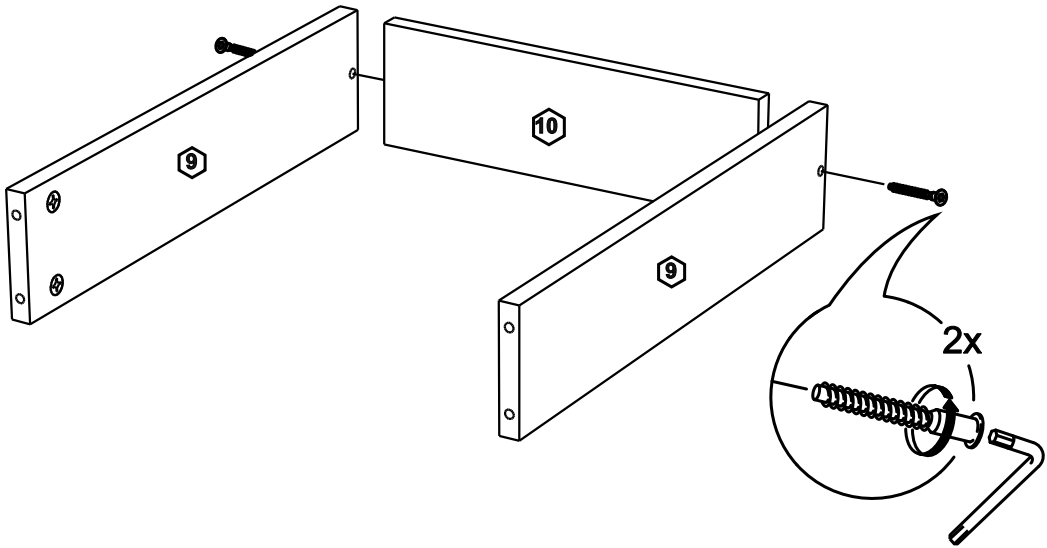


FPL 0014
FPL 0015
FPL 0016

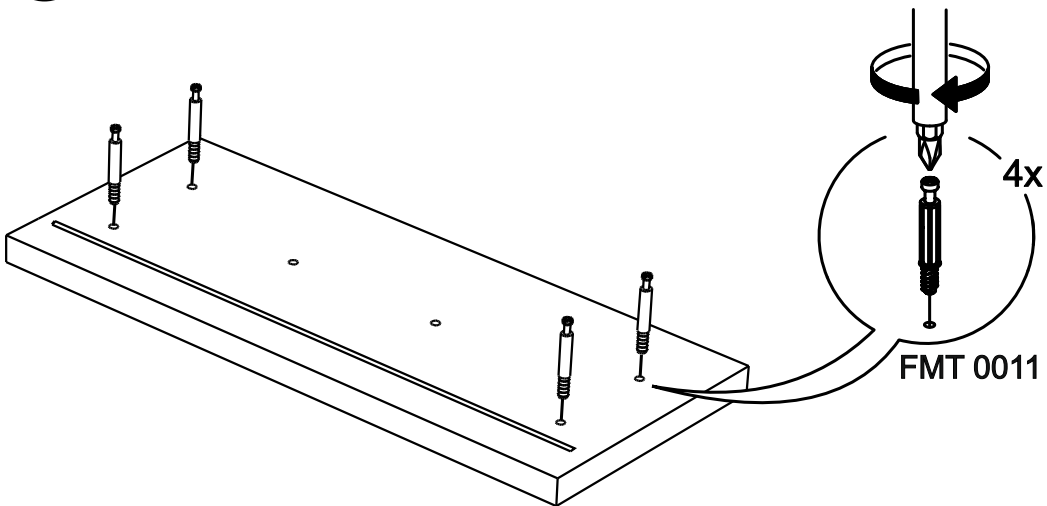
18



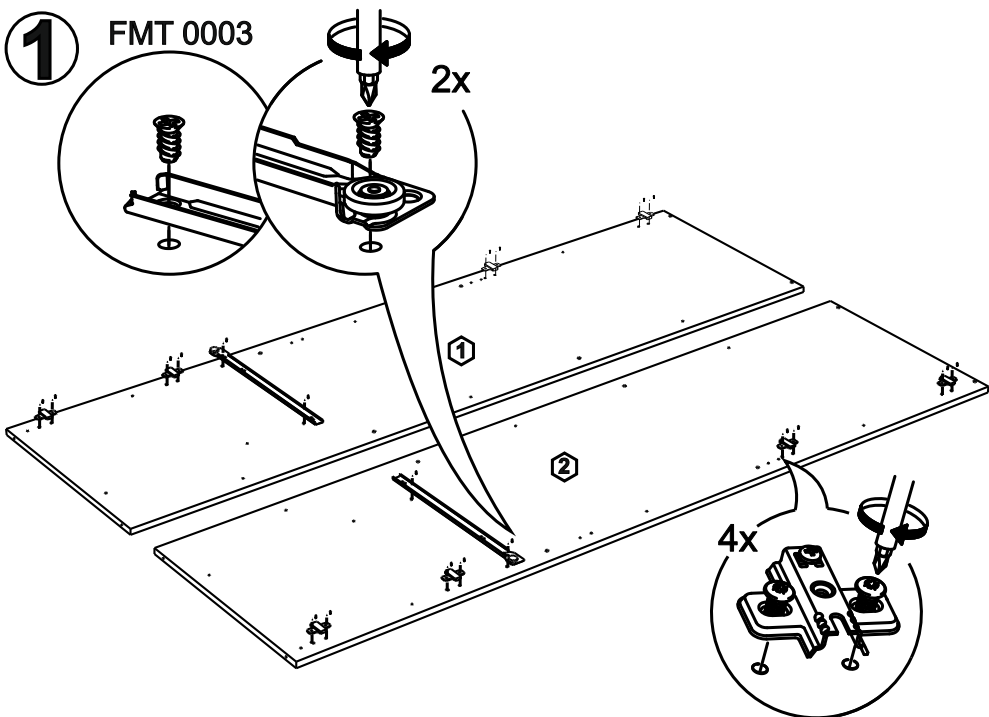
15



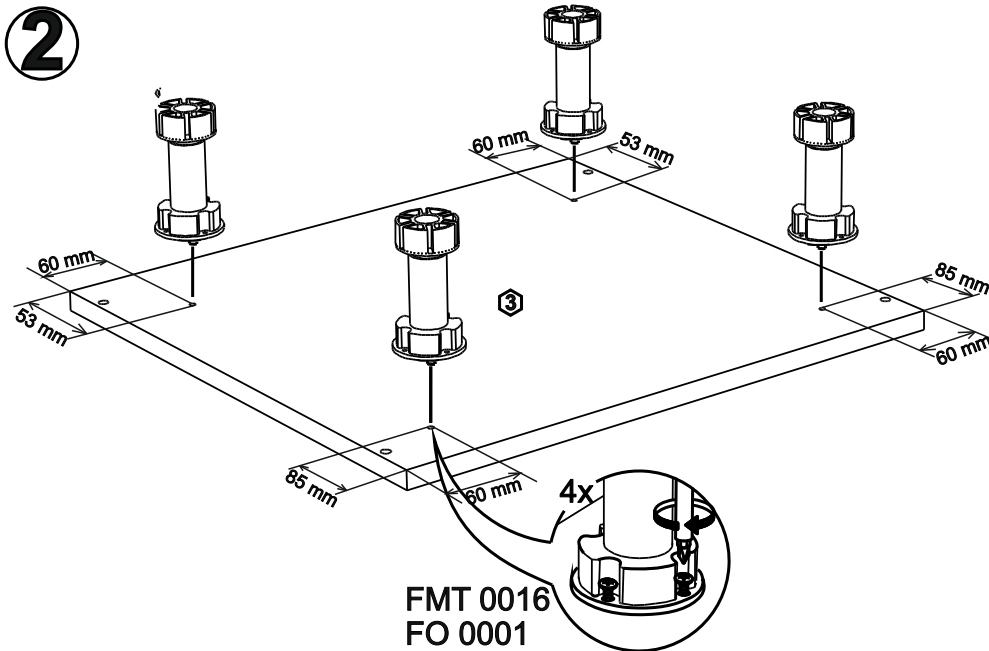
16

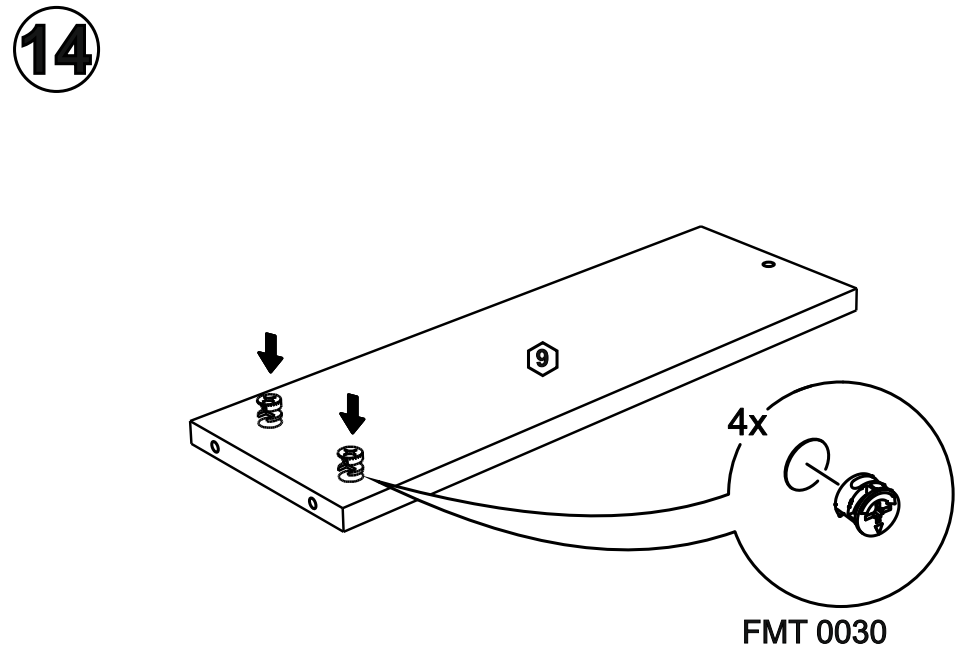
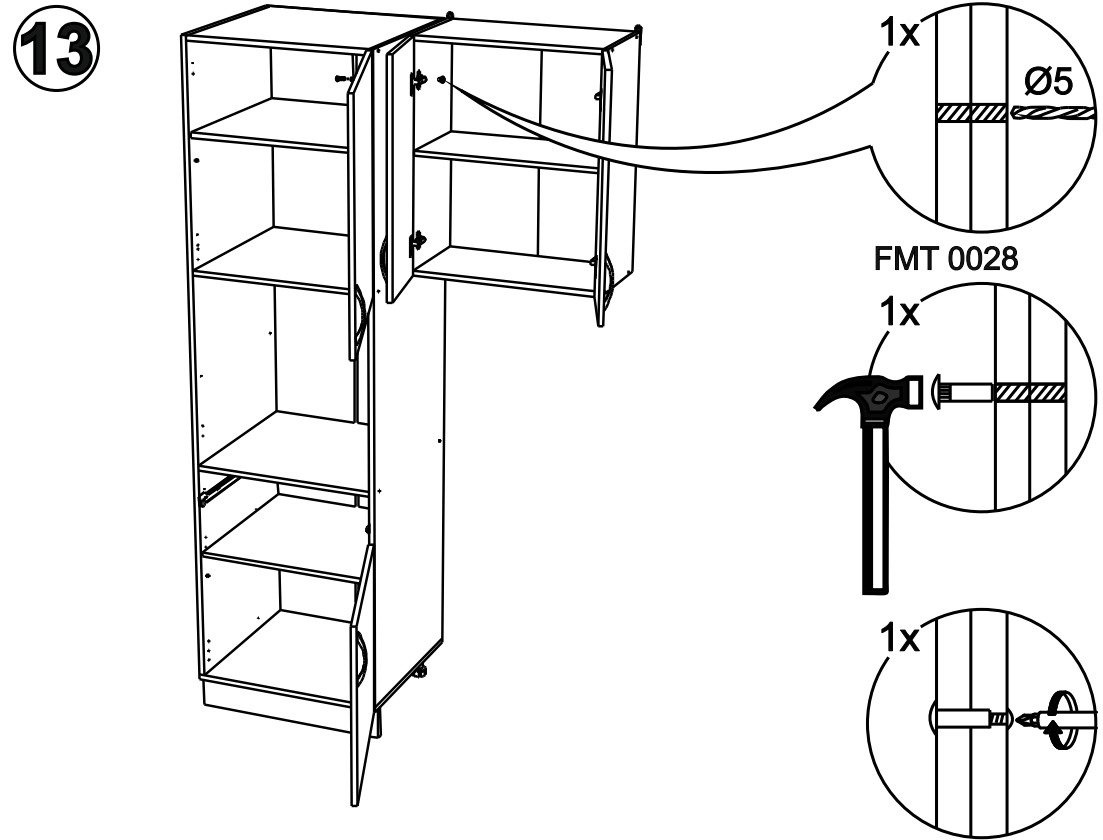
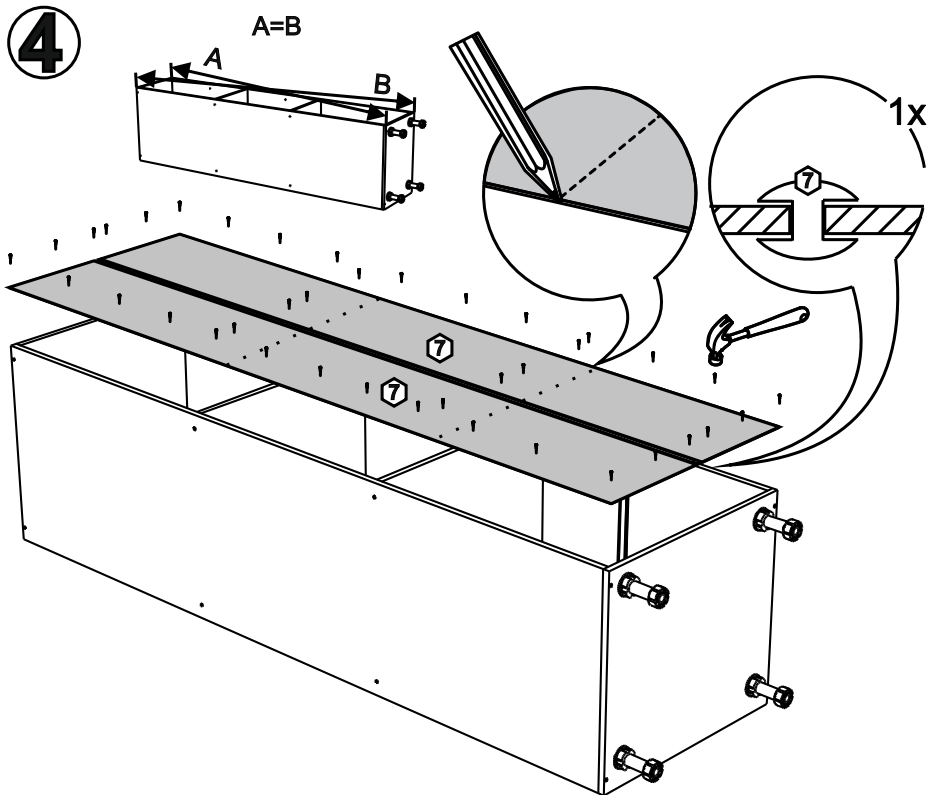
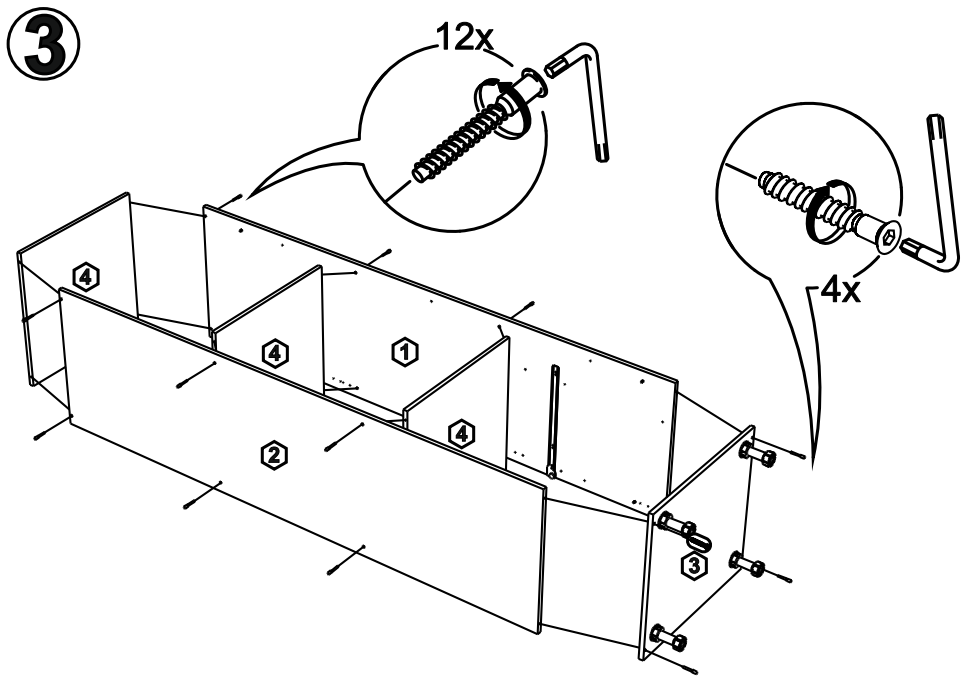


1

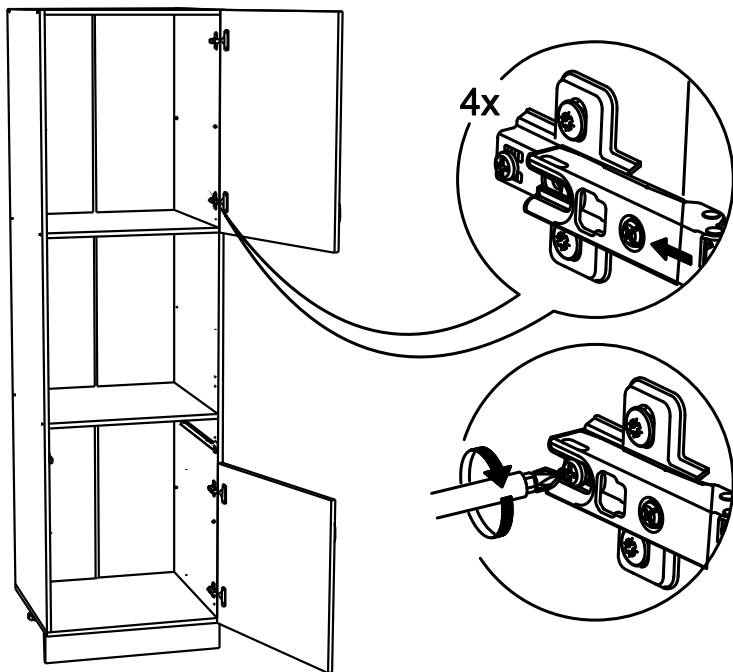


2

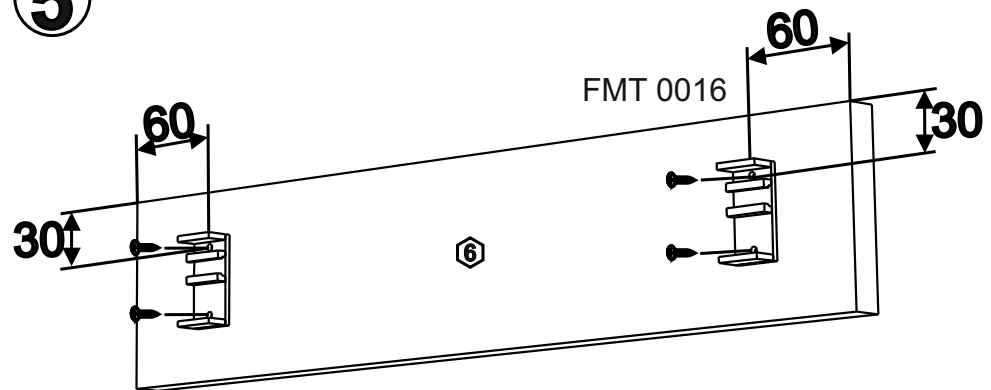




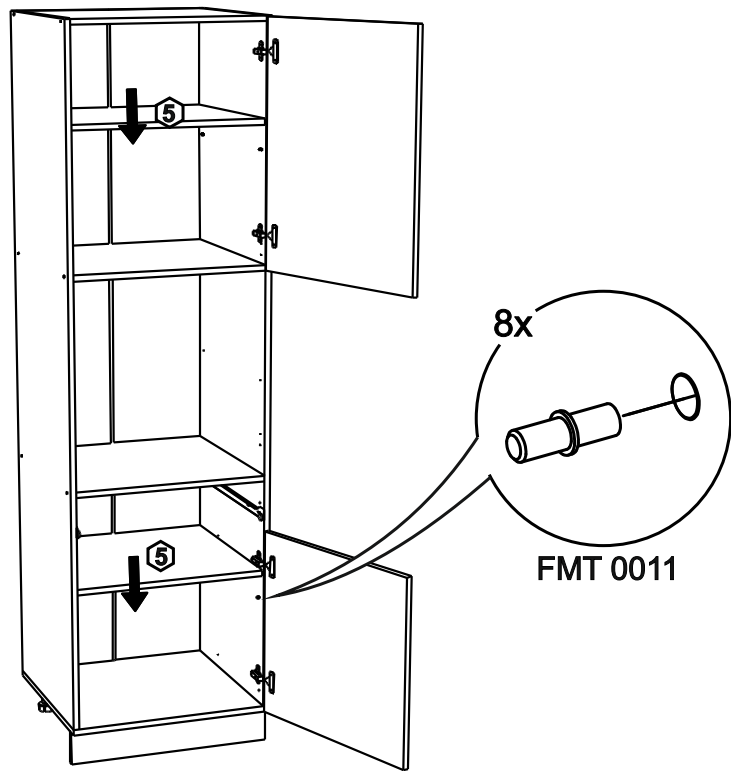
11



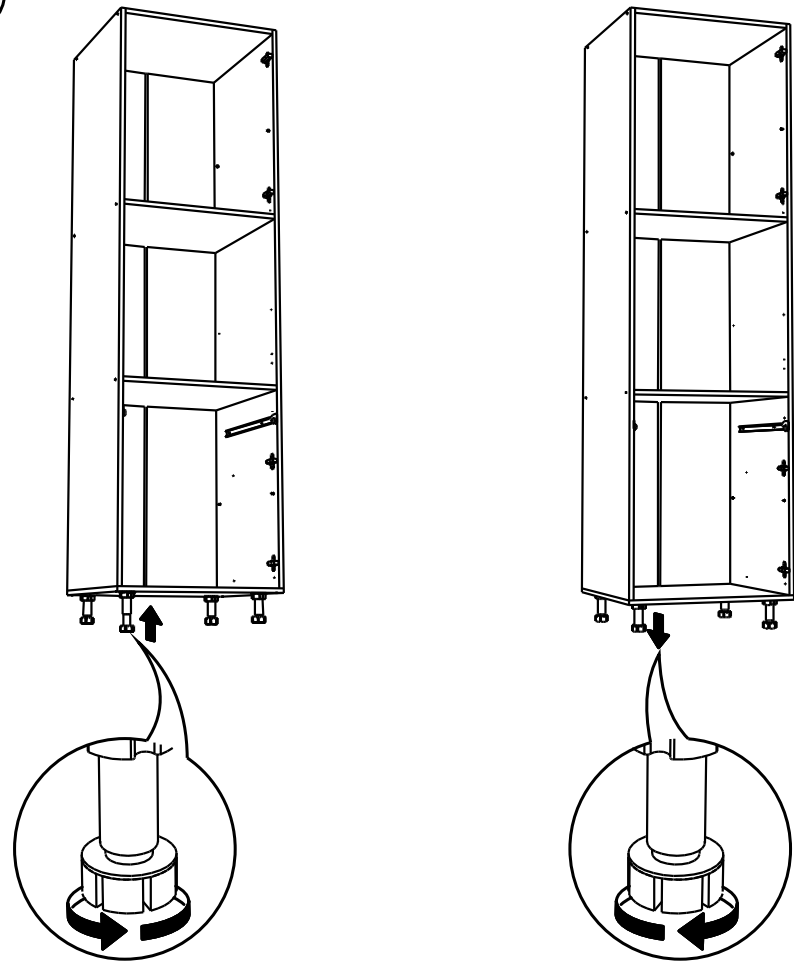
5



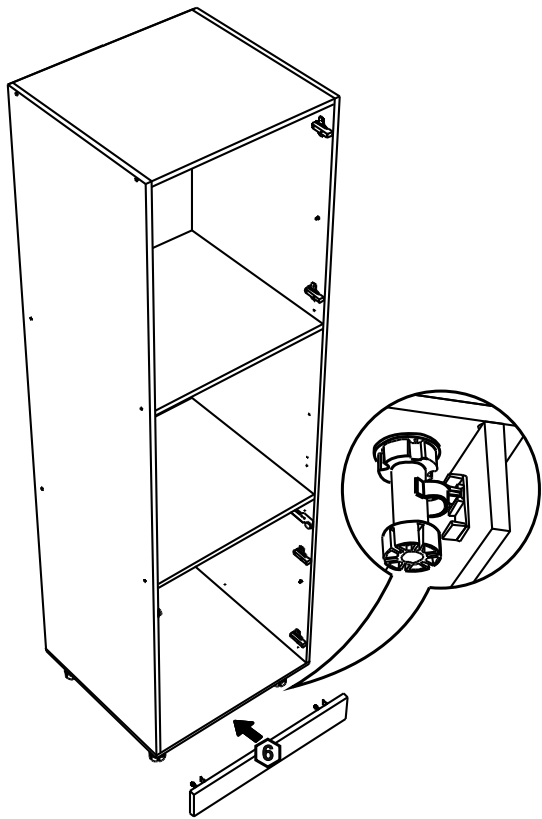
12



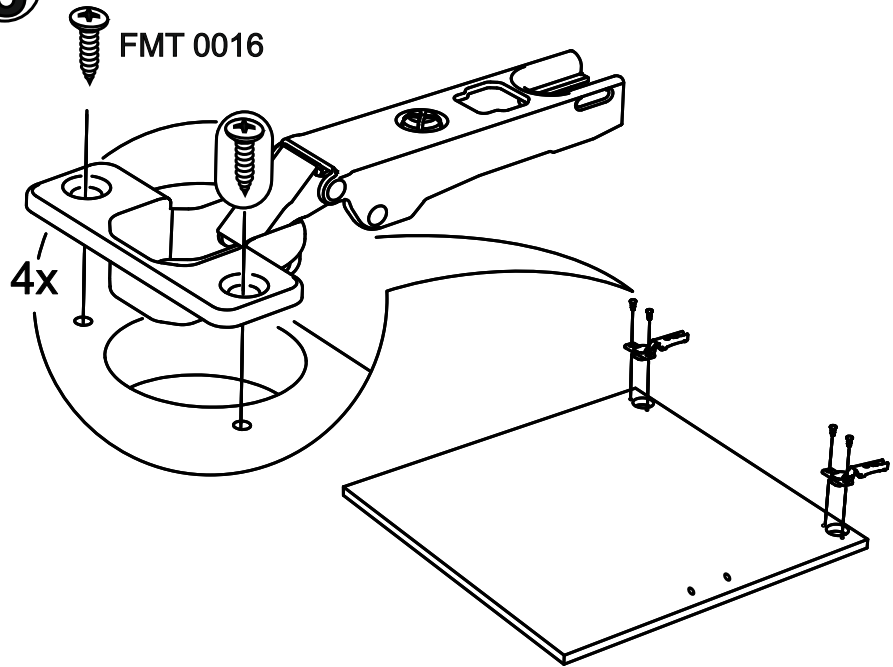
6



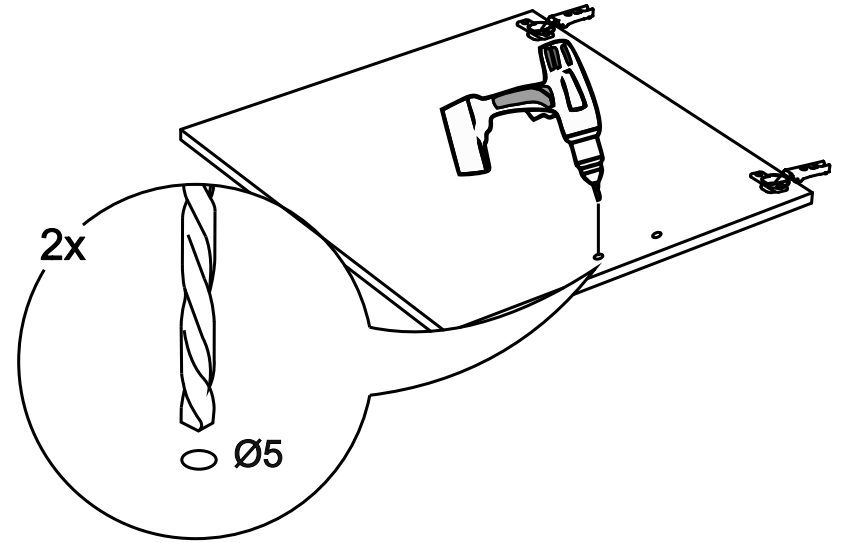
7



8



9



10

